

Complete Darkness Ultra low light 0Lux



High Resolution Small IR Dome Camera

SCD-2020R

With its built-in high-performance LED illuminators, the SCD-2020R Infra Red LED dome camera captures images in total darkness of 0 Lux. Compared to same-class cameras, the SCD-2020R delivers superior nighttime pictures with its automatic IR intensity adjustment of objects at short distances, ICR Day & Night technology and an IR corrected lens. Its 3.6mm lens is perfect to monitor compact areas such as small stores, storage areas and hallways.

- High resolution of 600TV lines
- Min. illumination 0Lux (IR LED on), IR distance 7m
- Built-in fixed lens (3.6mm), SSNRIII (3D+2D)
- Coaxial control, 12VDC



High Resolution Small IR Dome Camera

SCD-2020R

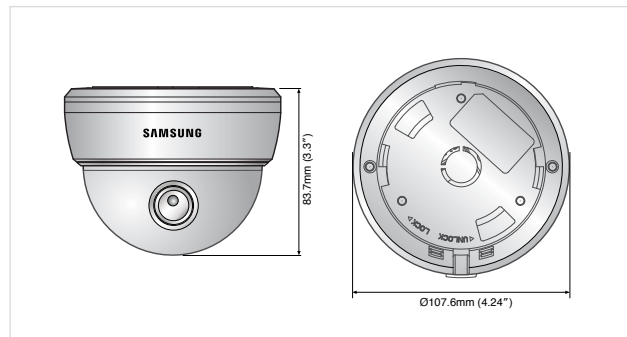


Specifications

	SCD-2020RN	SCD-2020RP
VIDEO		
Imaging Device	1/3" Super HAD CCD	
Total Pixels	811(H) x 508(V)	795(H) x 596(V)
Effective Pixels	768(H) x 494(V)	752(H) x 582(V)
Scanning System	2 : 1 Interlace	
Synchronization	Internal	
Frequency	H : 15.734KHz / V : 59.94Hz	H : 15.625KHz / V : 50Hz
Horizontal Resolution	Color : 600 TV lines, B/W : 700 TV lines	
Min. Illumination	Color : 0.15Lux @F1.2 (50IRE) B/W : 0Lux (IR LED on)	
S / N Ratio	52dB (AGC off, Weight on)	
Video Output	CVBS : 1.0 Vp-p / 75Ω composite	
LENS		
Focal Length (Zoom Ratio)	3.6mm	
Max. Aperture Ratio	F2.0	
Angular Field of View	66°(H) x 49°(V)	
Min. Object Distance	0.4m	
PAN / TILT		
Pan Range	0° ~ 352°	
Tilt Range	0° ~ 75°	
OPERATIONAL		
On Screen Display	Multi-language support by coaxial cable English, Japanese, Spanish, French, Portuguese, Taiwanese, Korean	Multi-language support by coaxial cable English, French, German, Spanish, Italian, Chinese, Russian, Polish, Czech, Romanian, Serbian, Swedish, Danish, Turkish, Portuguese
Camera Title	Off / On (Displayed 15 characters)	
Day & Night	Auto (ICR) / Color / B/W	
Backlight Compensation	BLC / HLC / Off	
Dynamic Range	SSDR (Off / On)	
Digital Noise Reduction	SSNR III (Off / On)	
Digital Image Stabilization	Off / On	
Motion Detection	Off / On (8 programmable zones)	
Privacy Masking	Off / On (12 programmable zones)	
Sens-up (Frame Integration)	2x ~ 512x	
Gain Control	Off / Low / High	
White Balance	ATW / Outdoor / Indoor / Manual / AWC (1,700K° ~ 11,000K°)	
Electronic Shutter Speed	1/60 ~ 1/120,000 sec	1/50 ~ 1/120,000 sec
Digital Zoom	Off / On (1x ~ 16x)	
Flip / Mirror	H-Rev (Off / On), V-Rev (Off / On)	
Communication	Coaxial control (SPC-300 Compatible)	
Protocol	Pelco-C (Coaxitron)	
IR Distance	7m (IR LED 8 EA)	
ENVIRONMENTAL		
Operating Temperature / Humidity	-10°C ~ +50°C (+14°F ~ +122°F) / Less than 90% RH	
ELECTRICAL		
Input Voltage/Current	12V DC ±10%	
Power Consumption	2.5W	
MECHANICAL		
Color / Material	Body : Ivory, PC/ABS, Dome cover : PC	
Dimension (WxHxD)	Ø107.6 x 83.7mm (4.24" x 3.3")	
Weight	280g (0.62 lb)	

Dimensions

Unit : mm (inch)



The Eco mark represents Samsung Techwin's will to create environment-friendly products, and indicates that the product satisfies the EU RoHS Directive.

Design and specifications are subject to change without notice.



SAMSUNG TECHWIN CO., LTD.

701, Sampyeong-dong, Bundang-gu, Seongnam-si, Gyeonggi-do Korea 463-400
Tel : +82-70-7147-8741~8749, 8752~8760 Fax : +82-31-8018-3745
www.samsungsecurity.com www.samsungcctv.com

SAMSUNG TECHWIN AMERICA INC.
1480 Charles Willard St. Carson, CA 90746, UNITED STATES
Tel Free : +1-877-213-1222 Fax : +1-310-632-2195
www.samsungcctvusa.com

SAMSUNG TECHWIN EUROPE LTD.
Samsung House, 1000 Hillwood Drive, Hillwood Business Park
Chertsey, Surrey, UNITED KINGDOM KT16 0PS
Tel : +44-1932-45-5300 Fax : +44-1932-45-5325

TIANJIN SAMSUNG TECHWIN OPTO-ELECTRONICS CO., LTD.
No.11 Wei 6 Street, Micro-Electronic Industrial Park
Jingang Road, Tianjin, P.R. CHINA 300385
Tel : +86-22-23887788 Fax : +86-22-23887788

■ DISTRIBUTED BY

