




# Voyager LED

## 96102976 VOYAGER LED E3M MCE LI

THORN

EN 60598 -2-22	T <sub>a</sub> 25		IP20			850°C
----------------------	-------------------	---	------	---	---	-------

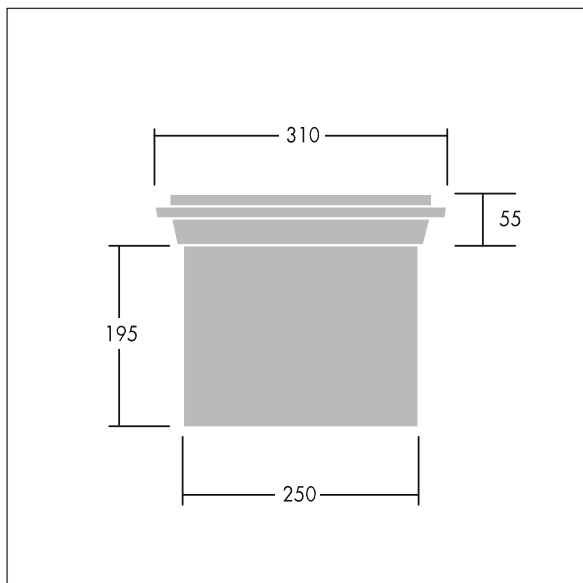
An Exit Sign using LED (light emitting diode) technology to produce an ultra-slim design

Ceiling mounted self-contained emergency exit sign using LED (light emitting diodes) with white stove enamelled aluminium extrusion body with white polycarbonate end caps, suitable for interior use for maintained emergency applications of 3 hour duration. A suitable sign blade is required. Class I electrical.

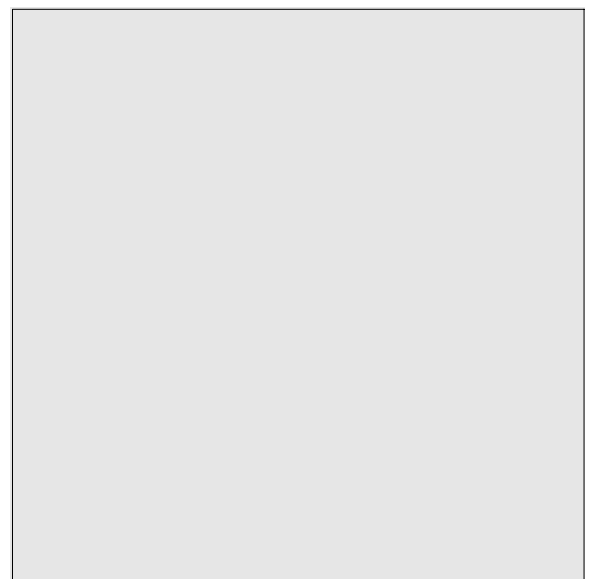
Dimensions: 310 x 35 x 250 mm  
Total power: 7 W  
Weight: 1.13 kg



TLG\_ICEL\_F\_05.jpg



TLG\_VOYR\_M\_LELD2.wmf



Lamp position: STD - standard  
Ballast: MAG OED  
Connected Load: 7 W Lambda = 0.9  
LOR: -1,00 ULOR: -1,00 DLOR: -1,00